

Globe Valve



Description

Size	1/2" to 26" (Below 1/2" are available on request)
Rating	150 to 4,500Lb
Material	Cast Iron, Cast Steel, Stainless Steel, Chrome moly, With Refractory, others
Application	General Service, High Pressure Steam & Water, Power, Paper Chemical, Air-conditioning Petroleum Biotechnology

Globe Valve



Description

Size	1/2" to 1" (Below 1/2" are available on request)
Rating	150 to 4,500Lb (Cv 1 ~ 0.000001)
Material	Stainless Steel
Application	General Service, High Pressure Steam & Water, Power, Paper Chemical, Air-conditioning Petroleum Biotechnology

Ball Valve



Description

Size	1/2" to 36" (Below 1/2" are available on request)
Rating	150 to 4,500Lb
Material	Cast Iron, Cast Steel, Stainless Steel, Chrome moly, others PTFE /RTFE /C-TFE /PCTFE
Application	Power, Paper, Chemical, Petroleum, Refining, Oil & Gas, Steel, Iron, Air-conditioning, Catalyst,

Large Ball Valve



Description

Size	1/2" to 120" (Below 1/2" are available on request)
Rating	150 to 4,500Lb
Material	Cast Iron, Cast Steel, Stainless Steel, Chrome moly, others Metal seat(Alloy Metallizing)
Application	Power, Paper, Chemical, Petroleum, Refining, Oil & Gas, Steel, Iron, Air-conditioning, Catalyst,

Ball Valve

BALL VALVE SPECIAL TYPE

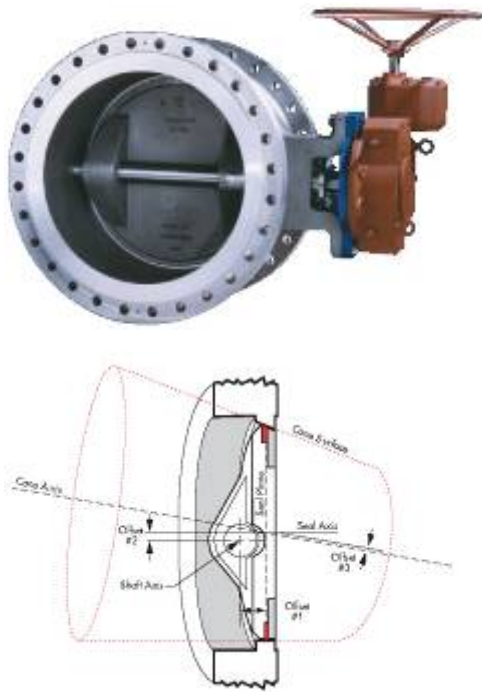
Type
 Soft & Metal seat ball
 Top Entry metal seat ball
 Eccentric ball
 V-cut (segment) ball
 Multi way ball
 Teflon lined ball
Fire safe design
 Low emission device
 Live loading packing arrangement



Description

Size	1/2" to 100" (Below 1/2" are available on request)
Rating	150 to 4,500Lb
Material	Cast Iron, Cast Steel, Stainless Steel, Chrome moly, others
Application	Power, Paper, Chemical, Petroleum, Refining, Oil & Gas, Steel, Iron, Air-conditioning, Catalyst,

Triple Off-Set Butterfly Valve



Description

Size	2" ~ 200"
Rating	150~900Lb
Material	Stainless Steel, Carbon Steel With H-Cr, Stellite, Heat Treatment, others
Application	Power, Paper, Chemical Petroleum, Refining, Drilling Air-conditioning, Marine Agriculture, Oil and Gas

Desuper heater

(HP/LP Turbine By-pass Valve)



GENERAL FEATURES

Size 2" to 24"
Rating Class 150Lb to 2,500Lb
Material Chrome Moly, Others
Type Pressure Reducing
 Desuperheater Station
 Multiple Nozzle Spray
 Variable Orifice



Description

Size	3"(inlet) ~ 24"(outlet)
Rating	150~4,500Lb
Material	Chrome moly, Alloy-TIC, With Hard faced Stellite Others
Application	Power, Paper, Petro-Chemical HP/LP Turbine By-pass Valve Refining, Mining and Materials Desuperheater Station

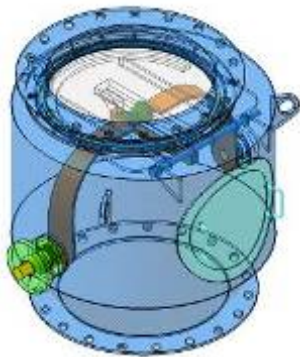
Slide Gate Valve



Description

Size	2" to 36"
Rating	150 to 600Lb
Material	Stainless Steel, Chrome moly, others
Application	Auto cleanet Equip' Waste transfer system ASH, Pulp & Paper service

Flap Valve



Description

Size	8" to 24"
Rating	150Lb
Material	Stainless Steel, Carbon steel
Application	Auto clannet Equip' Waste transfer system Powder industry

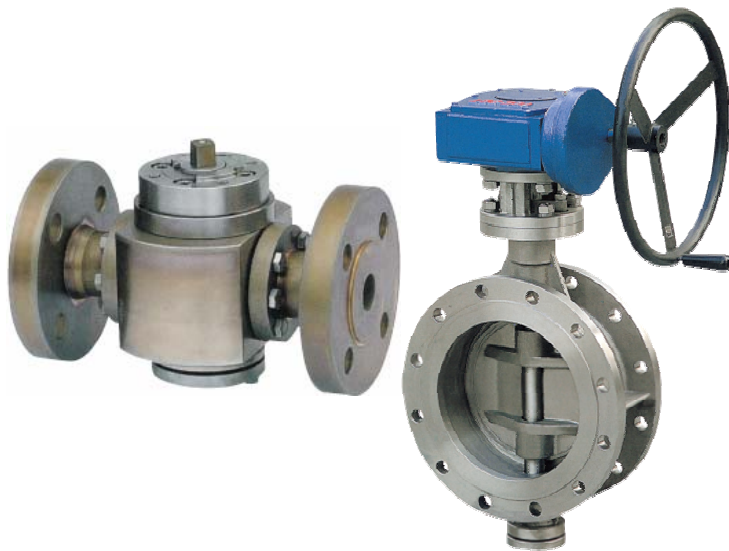
Anti-Corrosion Valve (Teflon Lined Valve)



Description

Size	1/2" to 4"
Rating	150Lb
Material	Stainless Steel, Carbon steel PFA Lined
Application	HCL Vapor Recovery System Acid Gas service Acid to Iso stripper & to Regenerator Alkylate Pump Spillback Caustic Isolation & Pump Recirculation

Anti-Corrosion Valve (Titanium Valve)



Description

Size	1/2" to 36"
Rating	150Lb
Material	Titanium Gr. 2 Titanium Gr. 5
Application	HCL Vapor Recovery System Acid Gas service Acid to Isostripper & to Regenerator Alkylate Pump Spillback Caustic Isolation & Pump Recirculation

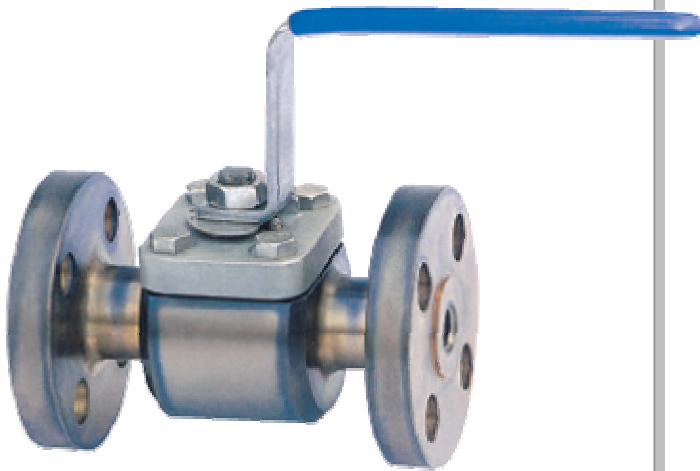
Anti-Corrosion Valve (Nickel Valve)



Description

Size	1/2" to 12"
Rating	150Lb
Material	Nickel
Application	HCL Vapor Recovery System Acid Gas service Acid to Isostripper & to Regenerator Alkylate Pump Spillback Caustic Isolation & Pump Recirculation

Anti-Corrosion Valve (Zirconium Valve)



Description

Size	1/2" to 12"
Rating	150Lb
Material	ZIRCONIUM VALVE
Application	HCL Vapor Recovery System Acid Gas service Acid to Isostripper & to Regenerator Alkylate Pump Spillback Caustic Isolation & Pump Recirculation

DIAPHRAGM ACTUATOR



Description

Size	150 to 550
Rating	5 bar(g) 0.2, 0.4, 0.8 to 3.2
Material	Carbon steel Stainless Steel Buna-N Spring Alloy Steel
Application	Globe Diaphragm Angle Micro Liner Motion Valve

CYLINDER ACTUATOR



Description

Size	100 to 480(DUAL CYLINDER)
Rating	5 bar(g) 2.0, 2.5 to 3.5
Material	Carbon steel Stainless Steel Buna-N Spring Alloy Steel
Application	Globe Diaphragm Angle Gate & Knife Gate Slide Gate Liner Motion Valve

ROTARY ACTUATOR



Description

Size	32 to 400(RACK & PINION)
Rating	5 bar(g) 2.0, 2.5 to 3.5
Material	Aluminum Alloy Structure Carbon Steel Buna-N Spring Alloy Steel
Application	Ball Butterfly Flap Rotary Motion Valve

MOTOR ACTUATOR



Description

Size	27 to 1,350 Nm(Quarter Turn)
Rating	AC220V, 380V, 440V (1/3Phase, 50/60hZ)
Material	Aluminum Alloy Structure Carbon Steel Buna-N
Application	Ball Butterfly Flap Rotary Motion Valve

ELECTRO-HYDRAULIC ACTUATOR



Description

Size	600 to 31,460 N-m (Quarter Turn)
Rating	AC220V (1Phase, 50/60Hz)
Material	Aluminum Alloy Structure Carbon Steel Buna-N
Application	Ball Butterfly Flap Rotary Motion Valve